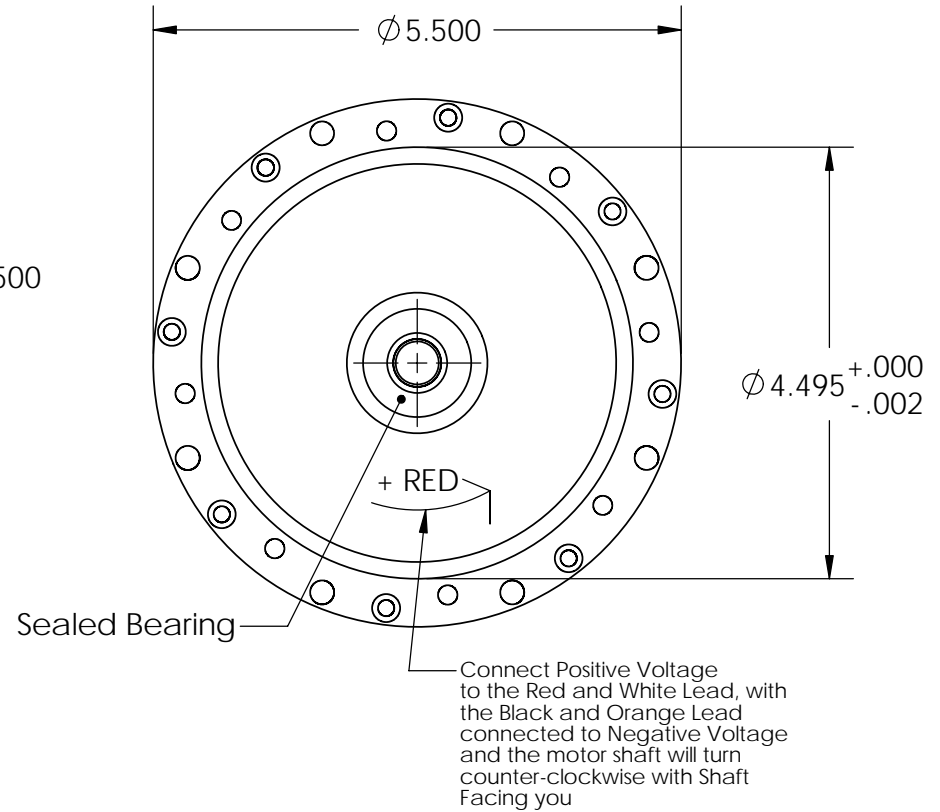
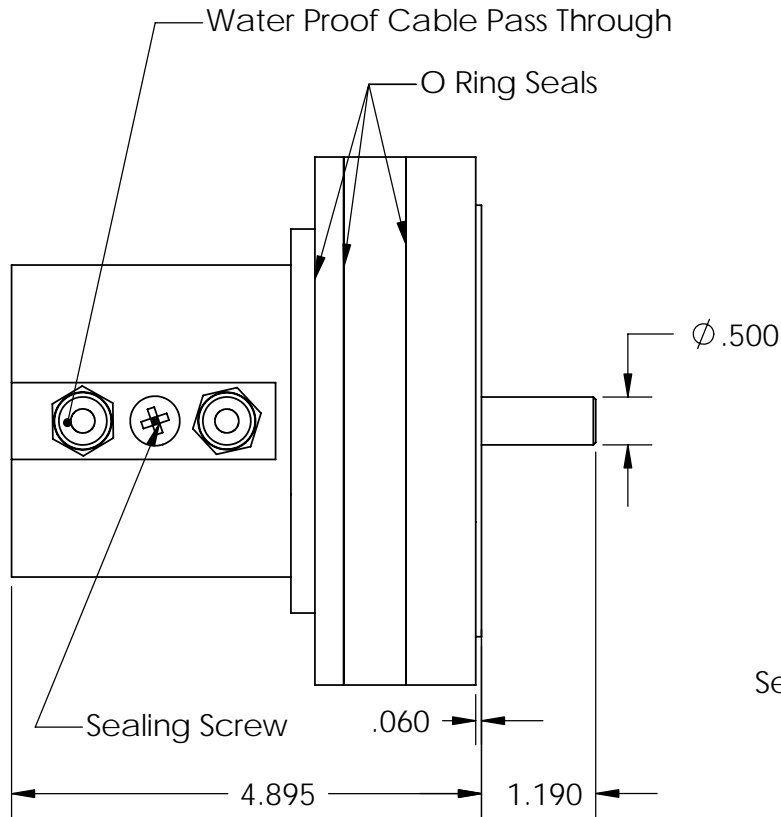
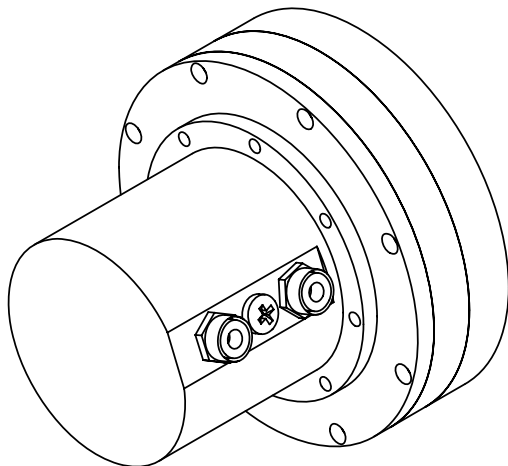


These drawings and specifications are the property of H2W Technologies, Inc. They are issued in confidence and shall not be reproduced, copied, or used without written permission from H2W Technologies, Inc.



Tachometer Specs:
 Rotate Shaft Clockwise
 Connect Red to Red and
 Black to Black, and the
 tachometer will yield a
 positive voltage.
 Output = 1 Volt / kRPM



SPECIFICATIONS	
Model Number:	TWR-010-250-8LST
Constant Torque Angular Displacement:	10 degrees
Resistance:	1.1 ohms
Total Weight:	4000 grams
Continuous Torque:	200 in-oz
Peak Torque:	600 in-oz
Motor Constant:	37.6 in-oz/sqrt(watts)

RELEASED FOR MFG.				H2W Technologies, Inc.		
DATE	4-2-03			28310-C Ave Crocker Valencia, CA 91355 USA		
BY	<i>Chadwick</i>			Tel: (661)-702-9346 Fax: (661)-702-9348		
MATERIAL				www.h2wtech.com		
FINISH				TITLE		
				TWR-010-250-8LST		
DRAWN	DATE	APPROVED	DATE	DWG #	REV	ECN
OGG	10-12-04	MPW	10-12-04	80-0083	---	1293

UNLESS SPECIFIED OTHERWISE:
 All dimensions are in inches
 Standard Tolerances are as follows
 .XXX ±.005 ANGLES ±1°
 .XX ±.010 FILLETS AND
 .X ±.020 CORNERS .010
 Remove All Burrs and Sharp Edges